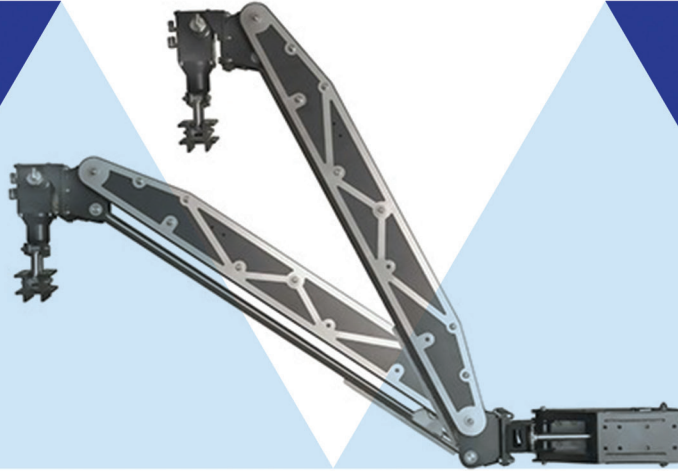


Delta SubSea

HLK - 4600 Camera Boom Arm



The Hydro-Lek HLK 4600 Camera Boom has been designed for pipeline inspection work and is available now from our rental partner Ashtead Technology. Using a pair of these arms, pipelines of up to 39 inches can be easily inspected. Its unique design allows the camera mount to stay at the same angle through the entire 135 degrees of angular movement of the arm, without any adjustment. The camera mount can be tilted up to 90 degrees and rotated up to 180 degrees. The arm uses Hydro-Lek's standard HLK 11060 hydraulic cylinders and HLK 2100 Mini Pan & Tilt.

Features

Movement Range:

- ▲ Up/Down 65-0-70 degrees
- ▲ Left/Right 0-30 degrees
- ▲ (Optional) 30-0-90 degrees
- ▲ Camera Pan 108 degrees
- ▲ Camera Tilt 90 degrees

Specifications

Weight:

- ▲ In air: 30lbs
- ▲ In water: 19lbs

Dimensions:

- ▲ Length of arm fully extended 40.9"
- ▲ Height (stowed) 25"
- ▲ Width 5"

Materials"

- ▲ 316 SS
- ▲ HE 30 Hard Anodized Aluminum

Delta SubSea

DeltaSubSea-ROV.com

1.936.582.7237

*Delta SubSea is not the manufacturer of this product.